

GATE VALVE

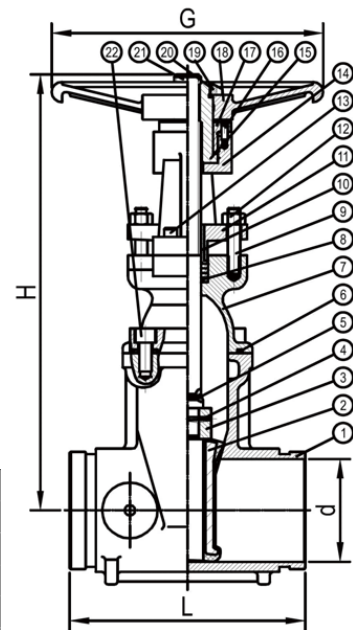


135 - AWWA C509 300PSI Grooved-End Gate Valve

- Bolted Bonnet • Outside Screw and Yoke • Resilient Wedge • Grooved-End
- 300 PSI/20.7 Bar Non-Shock Cold Working Pressure
- Conforms to AWWA C509
- FBE Coated Interior and Exterior
- Maximum Operating Temperature 185°F / 85°C
- FM Approved & UL/ULC Listed

Material Specifications

PART	SPECIFICATION
1. Valve Body	Ductile Iron ASTM A 536
2. Resilient Wedge	Ductile Iron ASTM A 536 with EPDM Encapsulation
3. Wedge Nut	Bronze ASTM B 584 UNS C83600
4. Dowel Pin	Stainless Steel ASTM A 276 UNS S42000
5. Stem Back Seat O-Ring	EPDM
6. Bonnet Gasket	EPDM
7. Bonnet	Ductile Iron ASTM A 536
8. Stem Packing	EPDM
9. Threaded Rod	Carbon steel Zinc Plated
10. Gland Bushing	Brass ASTM B 584
11. Gland	Cast Iron ASTM A 126-B
12. Gland Nut	Stainless Steel 18-8
13. Yoke Screw	Alloy Steel ASTM A 574M Zinc Plated
14. Yoke	Cast Iron ASTM A 126-B
15. Yoke Bushing	Bronze ASTM B 584
16. Flat Point Set Screw	Alloy Steel ASTM F 912M Black Oxide
17. Yoke Bushing Retainer	Cast Iron ASTM A 126-B
18. Handwheel	Ductile Iron ASTM A 536
19. Handwheel Nut	Carbon steel Zinc Plated
20. Flat Head Screw	Carbon steel Zinc Plated
21. Stem	Bronze ASTM B 150 UNS C61400
22. Bonnet Screw	Alloy Steel ASTM A 574M Zinc Plated



Dimension

Part Number	Size		L		d		G		H Open		H Close		Turns To Open
	In.	mm	In.	mm	In.	mm	In.	mm	In.	mm	In.	mm	
135-065	2.5	65	7.5	190	2.5	64	7.9	200	17.8	453	14.9	378	8.8
135-080	3	80	8.0	203	3.0	76	10.0	254	20.1	510	15.9	405	10.5
135-100	4	100	9.0	229	4.0	102	10.0	254	22.4	568	16.6	422	13.75
135-150	6	150	10.5	267	6.0	152	12.4	315	30.3	769	22.9	581	16
135-200	8	200	11.5	292	8.0	203	14.8	375	37.8	960	28.5	724	17.5
135-250	10	250	13.0	330	10.0	254	16.4	416	44.8	1139	34.5	877	21.5
135-300	12	300	14.0	356	12.0	305	17.5	445	52.2	1326	39.9	1014	25.5

Note: Freezing Weather Precaution-Subsequent to testing a piping system, valves should be in an open position to allow complete drainage.

