

CL01 - Cup Nut Pipe Loop

Size Range: 1" through 8"

Material: Carbon steel

Finish: Galvanized, other finish available upon request

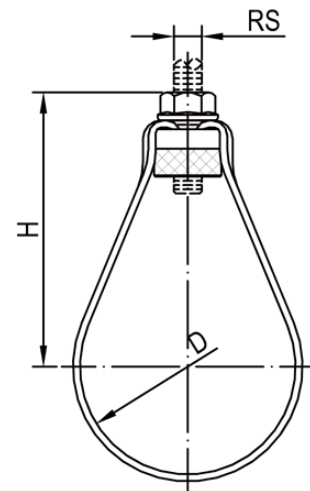
Service: Recommended for automatic sprinkler system

Approvals: FM approved

Configuration: Supplied with Flange nut and cup nut

Ordering: Specify Part Number

Part Number	Nominal Pipe Size		RS	D	H	WT. kg
	In.	mm				
	CL01-025V	1				
CL01-032V	1¼	DN32	M8	43	65	0.06
CL01-040V	1½	DN40	M8	49	70	0.06
CL01-050V	2	DN50	M8	61	79	0.07
CL01-025	1	DN25	M10	34	65	0.06
CL01-032	1¼	DN32	M10	43	65	0.06
CL01-040	1½	DN40	M10	49	70	0.06
CL01-050	2	DN50	M10	61	79	0.07
CL01-065	2½	DN65	M10	77	98	0.15
CL01-080	3	DN80	M10	90	113	0.17
CL01-100	4	DN100	M10	115	142	0.20
CL01-125	5	DN125	M12	142	153	0.23
CL01-150	6	DN150	M12	170	184	0.26
CL01-200	8	DN200	M12	221	236	0.56



Note: ANSI size is available upon request.