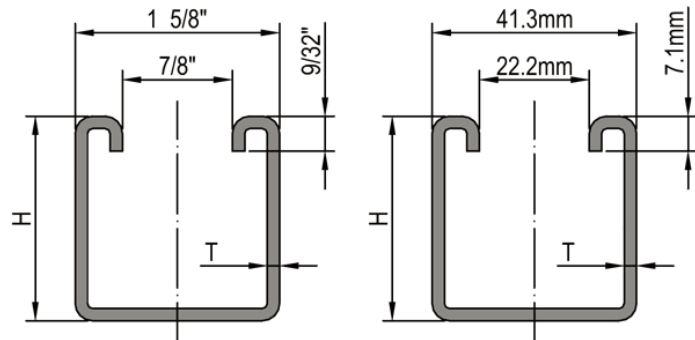


STRUT CHANNEL

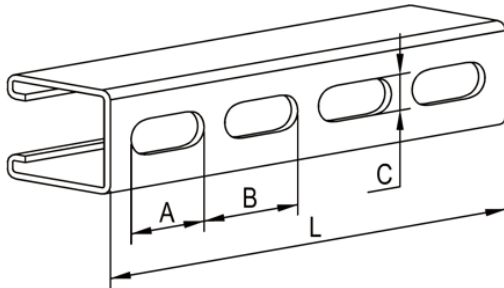


Channel

Model Number	H	
	In.	mm
C0130	13/16	20.6
C0140	7/8	22.2
C0160	1	25.4
C0220	1 3/8	34.9
C0260	1 5/8	41.3
C0390	2 7/16	61.9
C0520	3 1/4	82.6



NOTE: T can be customized; the max is 3mm (0.118in).



Slot Code	A		B		C	
	In.	mm	In.	mm	In.	mm
H1	1 1/8	28.6	2	50.8	9/16	14.3
H2	1 5/16	33.3	2	50.8	0.413	10.5
H3	3	76.2	4	101.6	7/16	11.1
HX	A, B and C can be customized					

NOTE: L can be customized; the max is 6.1m (20ft).

Unit Weight Table

Model	lbs/ft							kg/m						
	0.063in	0.071in	0.079in	0.091in	0.098in	0.106in	0.118in	1.6mm	1.8mm	2.0mm	2.3mm	2.5mm	2.7mm	3.0mm
C0130	0.83	0.92	1.01	1.13	1.21	1.29	1.40	1.24	1.37	1.50	1.69	1.81	1.92	2.08
C0140	0.86	0.95	1.04	1.17	1.25	1.33	1.45	1.27	1.41	1.55	1.74	1.87	1.99	2.16
C0160	0.91	1.01	1.10	1.24	1.33	1.42	1.55	1.35	1.50	1.65	1.85	1.99	2.12	2.30
C0220	1.06	1.18	1.30	1.47	1.58	1.68	1.84	1.58	1.76	1.93	2.19	2.35	2.51	2.74
C0260	1.17	1.30	1.43	1.62	1.74	1.86	2.03	1.74	1.94	2.13	2.41	2.60	2.77	3.03
C0390	1.50	1.68	1.85	2.10	2.27	2.43	2.66	2.24	2.50	2.75	3.13	3.37	3.61	3.97
C0520	1.84	2.06	2.27	2.59	2.79	3.00	3.30	2.74	3.07	3.38	3.85	4.16	4.46	4.91

Finish:

- <> Pre-galvanized
- <> Hot Dipped Galvanized
- <> Plain
- <> Other Finishes Available on Request

Part Number

"Model Number" + "Slot Code" + "-T", e.g.: C0260H1-2.3