

CANTILEVER BRACKET

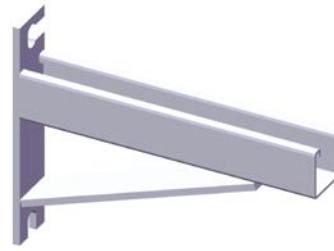


Cantilever Bracket CB01

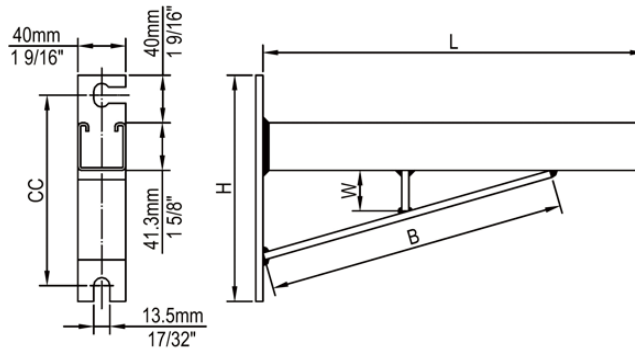
Material: Carbon steel

Finish: Zinc plated, other finish available upon request

Ordering: Specify Part Number



| Part Number | CC | | H | | L | | W | | B | |
|-------------|--------------------------------|-----|--------------------------------|-----|----------------------------------|-----|-------------------------------|-----|---------------------------------|-----|
| | In. | mm | In. | mm | In. | mm | In. | mm | In. | mm |
| CB01-320 | 6 ⁵ / ₁₆ | 160 | 7 ¹ / ₂ | 190 | 12 ⁵ / ₈ | 320 | --- | --- | 9 ⁹ / ₁₆ | 250 |
| CB01-470 | 6 ⁵ / ₁₆ | 160 | 7 ¹ / ₂ | 190 | 18 ¹ / ₂ | 470 | --- | --- | 13 ³ / ₄ | 350 |
| CB01-635 | 8 ¹ / ₄ | 210 | 9 ⁷ / ₁₆ | 240 | 25 | 635 | 2 ¹ / ₂ | 64 | 18 ¹ / ₈ | 460 |
| CB01-780 | 8 ¹ / ₄ | 210 | 7 ¹ / ₂ | 240 | 30 ¹¹ / ₁₆ | 780 | 2 ¹ / ₂ | 64 | 22 ⁷ / ₁₆ | 570 |

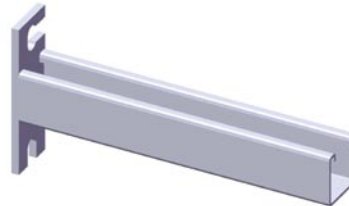


Cantilever Bracket CB02

Material: Carbon steel

Finish: Zinc plated, other finish available upon request

Ordering: Specify Part Number



| Part Number | CC | | H | | L | |
|-------------|--------------------------------|----|-------------------------------|-----|----------------------------------|-----|
| | In. | mm | In. | mm | In. | mm |
| CB02-320 | 3 ⁹ / ₁₆ | 90 | 4 ³ / ₄ | 120 | 12 ⁵ / ₈ | 320 |
| CB02-470 | 3 ⁹ / ₁₆ | 90 | 4 ³ / ₄ | 120 | 18 ¹ / ₂ | 470 |
| CB02-635 | 3 ⁹ / ₁₆ | 90 | 4 ³ / ₄ | 120 | 25 | 635 |
| CB02-780 | 3 ⁹ / ₁₆ | 90 | 4 ³ / ₄ | 120 | 30 ¹¹ / ₁₆ | 780 |

