

## Medium Duty U-Bolt UB-M

**Pipe Size Range:** 1/2" through 12" (DN15 through DN300)

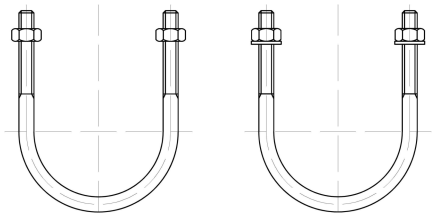
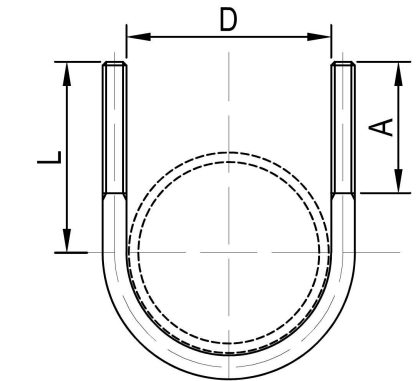
**Rod Size Range:** 1/4" through 7/8" (M6 through M22)

**Material:** Carbon steel, Stainless steel 304 or 316

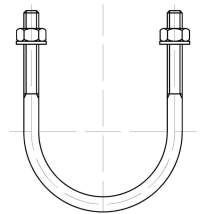
**Surface Finish:** Galvanized (Carbon steel)

**Features:** Includes 2 nuts or 4 nuts and 2 washers

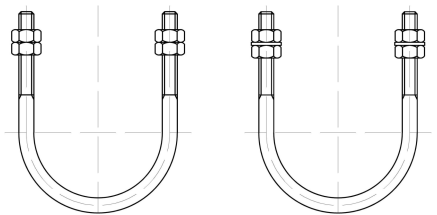
**Ordering:** Specify Part Number & Pipe size



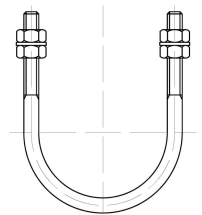
With 2 nuts



With 2 nuts & 2 washers



With 4 nuts



With 4 nuts & 2 washers

Nominal Pipe Size	RS	L	A	D	Carbon steel		Stainless steel	
					Part Number	Max. Rec. Load (lbs)	Part Number	Max. Rec. Load(lbs)
1/2	1/4	2.52	2.13	0.87	UB015200M	240	UB015200MSS	435
3/4	1/4	2.64	2.13	1.10	UB015200M	240	UB015200MSS	435
1	1/4	2.75	2.13	1.37	UB015200M	240	UB015200MSS	435
1 1/4	3/8	2.87	2.13	1.72	UB032300M	730	UB032300MSS	1090
1 1/2	3/8	3.00	2.52	1.95	UB040300M	730	UB040300MSS	1090
2	3/8	3.27	2.52	2.44	UB050300M	730	UB050300MSS	1090
2 1/2	1/2	3.74	3.00	3.06	UB065400M	1350	UB065400MSS	2020
3	1/2	4.02	3.00	3.56	UB080400M	1350	UB080400MSS	2020
4	1/2	4.50	3.00	4.56	UB100400M	1350	UB100400MSS	2020
5	1/2	5.00	3.00	5.63	UB125400M	1350	UB125400MSS	2020
6	5/8	6.14	3.75	6.75	UB150500M	2160	UB150500MSS	3230
8	5/8	7.13	3.75	8.75	UB200500M	2160	UB200500MSS	3230
10	3/4	8.39	4.02	10.87	UB250600M	3230	UB250600MSS	4830
12	7/8	9.61	4.25	12.87	UB300700M	4480	UB300700MSS	6730

Nominal Pipe Size	RS	L	A	D	Carbon steel		Stainless steel	
					Part Number	Max. Rec. Load (N)	Part Number	Max. Rec. Load(N)
DN15	M6	64	54	22.2	UB015M06M	1060	UB015M06MSS	1930
DN20	M6	67	54	28.0	UB015M06M	1060	UB015M06MSS	1930
DN25	M6	70	54	34.9	UB015M06M	1060	UB015M06MSS	1930
DN32	M10	73	54	43.6	UB032M10M	3240	UB032M10MSS	4850
DN40	M10	76	64	49.5	UB040M10M	3240	UB040M10MSS	4850
DN50	M10	83	64	61.9	UB050M10M	3240	UB050M10MSS	4850
DN65	M12	95	76	77.7	UB065M12M	6000	UB065M12MSS	8980
DN80	M12	102	76	90.5	UB080M12M	6000	UB080M12MSS	8980
DN100	M12	114	76	115.9	UB100M12M	6000	UB100M12MSS	8980
DN125	M12	127	76	142.9	UB125M12M	6000	UB125M12MSS	8980
DN150	M16	156	95	171.5	UB150M16M	9600	UB150M16MSS	14370
DN200	M16	181	95	222.3	UB200M16M	9600	UB200M16MSS	14370
DN250	M20	213	102	276.2	UB250M20M	14300	UB250M20MSS	21490
DN300	M22	244	108	327.0	UB300M22M	19900	UB300M22MSS	29940

## Light Duty U-Bolt UB-L

**Pipe Size Range:** 1/2" through 12" (DN15 through DN300)

**Rod Size Range:** 1/4" through 3/4" (M6 through M20)

**Material:** Carbon steel, Stainless steel 304 or 316

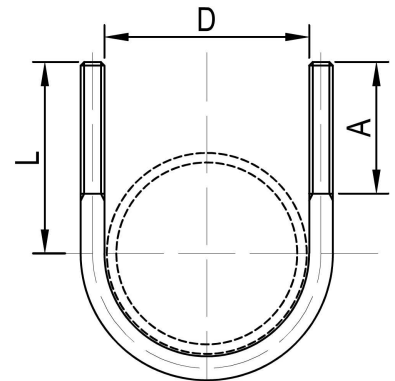
**Surface Finish:** Galvanized (Carbon steel)

**Features:** Includes 2 nuts or 4 nuts and 2 washers

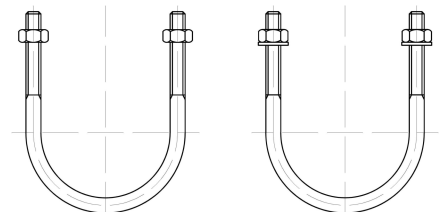
**Ordering:** Specify Part Number & Pipe size



Nominal Pipe Size	RS	L	A	D	Carbon steel		Stainless steel	
					Part Number	Max. Rec. Load (lbs)	Part Number	Max. Rec. Load(lbs)
1/2	1/4	1.93	1.75	0.87	UB015200L	240	UB015200LSS	435
3/4	1/4	2.05	1.75	1.10	UB015200L	240	UB015200LSS	435
1	1/4	2.20	1.75	1.37	UB015200L	240	UB015200LSS	435
1 1/4	1/4	2.36	1.75	1.72	UB032200L	240	UB032200LSS	435
1 1/2	1/4	2.44	1.75	1.95	UB040200L	240	UB040200LSS	435
2	1/4	2.68	1.75	2.44	UB050200L	240	UB050200LSS	435
2 1/2	3/8	3.07	2.00	3.06	UB065300L	730	UB065300LSS	1090
3	3/8	3.39	2.00	3.56	UB080300L	730	UB080300LSS	1090
4	3/8	3.86	2.00	4.56	UB100300L	730	UB100300LSS	1090
5	3/8	4.57	2.25	5.63	UB125300L	730	UB125300LSS	1090
6	1/2	5.08	2.25	6.75	UB150400L	1350	UB150400LSS	2020
8	1/2	6.06	2.25	8.75	UB200400L	1350	UB200400LSS	2020
10	5/8	7.24	2.50	10.87	UB250500L	2160	UB250500LSS	3230
12	3/4	8.50	2.75	12.87	UB300600L	3230	UB300600LSS	4830

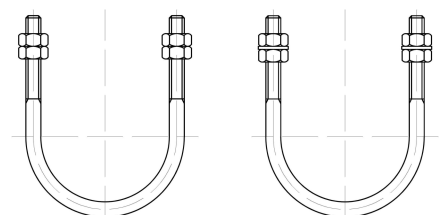


Nominal Pipe Size	RS	L	A	D	Carbon steel		Stainless steel	
					Part Number	Max. Rec. Load (N)	Part Number	Max. Rec. Load(N)
DN15	M6	49	45	22.2	UB015M06L	1060	UB015M06LSS	1930
DN20	M6	52	45	28.0	UB015M06L	1060	UB015M06LSS	1930
DN25	M6	56	45	34.9	UB015M06L	1060	UB015M06LSS	1930
DN32	M6	60	45	43.6	UB032M06L	1060	UB032M06LSS	1930
DN40	M6	62	45	49.5	UB040M06L	1060	UB040M06LSS	1930
DN50	M6	68	45	61.9	UB050M06L	1060	UB050M06LSS	1930
DN65	M10	78	51	77.7	UB065M10L	3240	UB065M10LSS	4850
DN80	M10	86	51	90.5	UB080M10L	3240	UB080M10LSS	4850
DN100	M10	98	51	115.9	UB100M10L	3240	UB100M10LSS	4850
DN125	M10	116	57	142.9	UB125M10L	3240	UB125M10LSS	4850
DN150	M12	129	57	171.5	UB150M12L	6000	UB150M12LSS	8980
DN200	M12	154	57	222.3	UB200M12L	6000	UB200M12LSS	8980
DN250	M16	184	64	276.2	UB250M16L	9600	UB250M16LSS	14370
DN300	M20	216	70	327.0	UB300M20L	14300	UB300M20LSS	21490



With 2 nuts

With 2 nuts & 2 washers



With 4 nuts

With 4 nuts & 2 washers